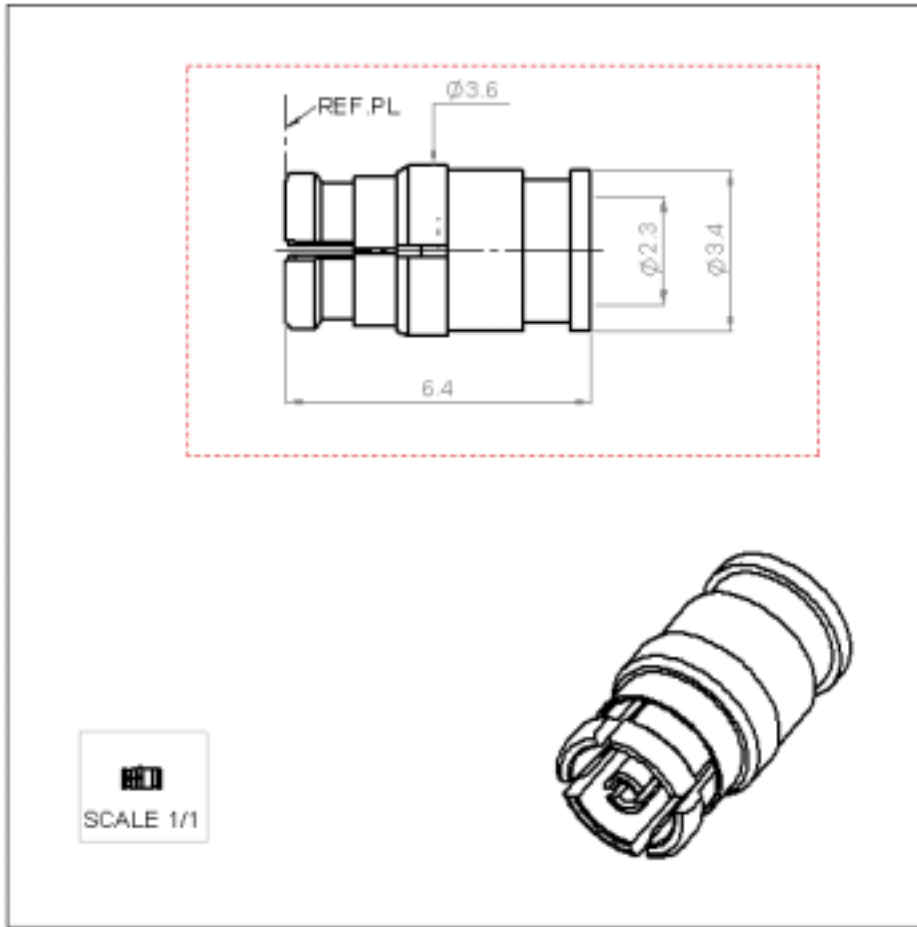


FEMALE STRAIGHT PLUG SOLDER TYPE

R222.052.300

CABLE .085 MICROPOROUS

Series : SMP



All dimensions are in mm.



COMPONENTS	MATERIALS	PLATING (µm)
BODY	BRONZE	GOLD 1.3 OVER NICKEL 2
CENTER CONTACT	BRONZE	GOLD 1.27 OVER NICKEL 1.27
OUTER CONTACT	-	-
INSULATOR	PTFE	
GASKET	-	
OTHERS PARTS	BRONZE	GOLD 1.27 OVER NICKEL 1.27
-	-	-
-	-	-

Issue : 0623 C

In the effort to improve our products, we reserve the right to make changes judged to be necessary.



FEMALE STRAIGHT PLUG SOLDER TYPE

R222.052.300

CABLE .085 MICROPOROUS

Series : SMP

PACKAGING

Standard	Unit	Other
100	'W' option	Contact us

SPECIFICATION

ELECTRICAL CHARACTERISTICS

Impedance	50	Ω
Frequency	0-40	GHz
VSWR	1.7 + 0,0000	x F(GHz) Maxi
Insertion loss		$\sqrt{F(GHz)}$ dB Maxi
RF leakage	- (- F(GHz)) dB Maxi
Voltage rating	335	Veff Maxi
Dielectric withstanding voltage	500	Veff mini
Insulation resistance	5000	M Ω mini

CABLE ASSEMBLY

Stripping	a	b	c	d	e	f
mm	1,30	0,00	0,00	0,00	0,00	0,00

Assembly instruction :

Recommended cable(s)
UT 85-LL

Characteristics indicated on this data sheet are those that can be achieved with the highest performance cable. Intrinsic limitations of the cable may diminish the performance of the assembly

Cable retention

- pull off **200** N mini
- torque **NA** N.cm

MECHANICAL CHARACTERISTICS

Center contact retention		
Axial force – Mating end	NA	N mini
Axial force – Opposite end	NA	N mini
Torque	NA	N.cm mini

TOOLING

Part Number	Description	Hexagon
.	.	.
R282.051.000	STRIPPING TOOL	
R282.062.010	POINTER GAUGE	
R282.740.030	SOLDERING MOUNTING	
R282.743.120	POSITIONER FOR SOLDERING SMP	
R282.744.253	POSITIONER FOR SOLDERING SMP	
R282.862.050	SOLDER GAUGE THCK .012	

Recommended torque		
Mating	NA	N.cm
Panel nut	NA	N.cm
Clamp nut	NA	N.cm
A/F clamp nut	0,0000	mm

Mating life	1000	Cycles mini
Weight	0,2300	g

ENVIRONMENTAL

Operating temperature	-65/+165	$^{\circ}$ C
Hermetic seal	NA	Atm.cm3/s
Panel leakage	NA	

OTHER CHARACTERISTICS

RF Leakage -80dB DC-3GHz
-65dB 3-26.5GHz
Compliant with MIL.STD.348

Issue : 0623 C

In the effort to improve our products, we reserve the right to make changes judged to be necessary.

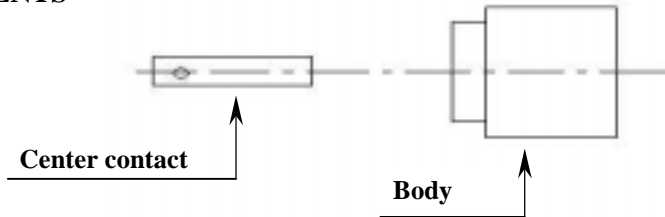


FEMALE STRAIGHT PLUG SOLDER TYPE
CABLE .085 MICROPOROUS

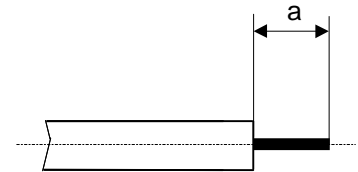
R222.052.300

Series : SMP

COMPONENTS



STRIPPING CABLES



We recommend a thermal preconditioning cable

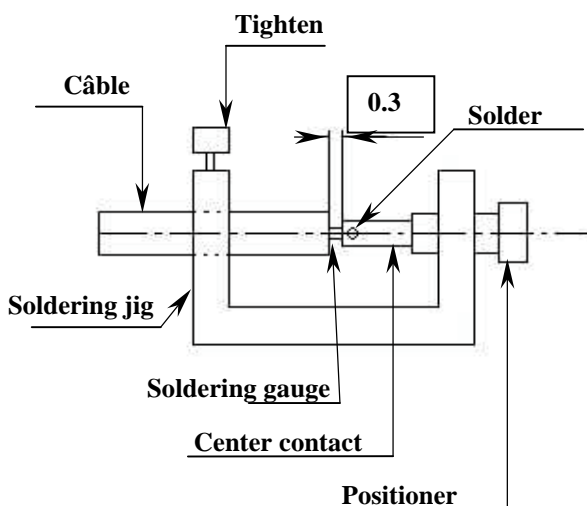
1

Strip the dielectric of the cable .
 Trim the cable cone.
 Clean the cable .
 The iron temperature shall not exceed 250°C



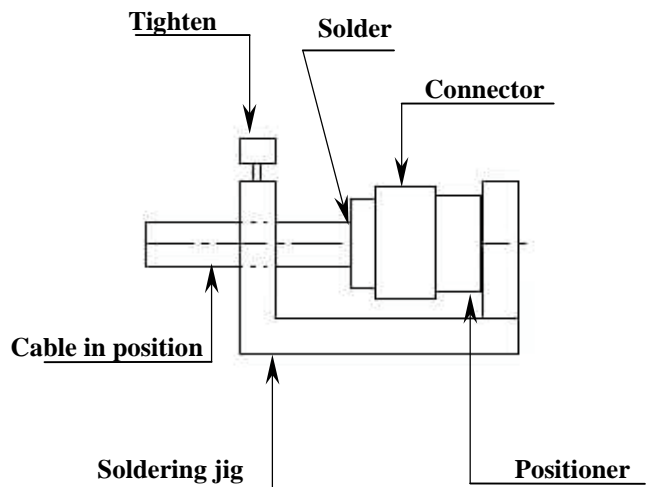
2

Screw the positioner onto the soldering jig.
 Slide the center contact into the positioner.
 Insert solder gauge between the contact and the cable .
 Tighten and solder the center contact.



3

After cooling remove cable assembly from the jig.
 Slide body into positioner .
 Slide cable into the connector until it bottoms against the positioner .
 Tighten.
 Solder the body onto the cable.
 After cooling remove cable assembly from the jig.



Issue : 0623 C

In the effort to improve our products, we reserve the right to make changes judged to be necessary.

